



Wide field telescope



**MAGNIFICATION:**  
1.8X

**VISUAL FIELD** 25°

**WEIGHT:**  
14 grams

**CORRECTION LIMIT:**  
± 20 – 10 dioptries

Sometimes it is worth thinking the other way around! Although a telescopic system with high magnification may solve one problem, it creates others. The ML Vidi telescopic device has slightly less than double the magnification. By combining this with a very wide visual field, it is possible to get closer and still see the whole object. And because the distance is shorter, this in itself magnifies the object and the real magnification on the retina becomes higher. A short distance also decreases the need to have the telescopic system in a fixed position to attain a steady picture. This makes the ML Vidi one of the most powerful telescopic devices on the market, presenting a range of options for individual corrections and other adjustments.

## RETINAL MAGNIFICATION

Two factors need to be considered to determine the real magnification on the retina. These are the magnification of the telescopic device and the magnification resulting from the proximity to the object. The wide visual field of the ML Vidi makes it possible to get closer whilst still seeing the entire object, thus enabling a lower telescopic magnification. Persons requiring a distance of four meters to see a full TV screen with a 4X telescope can use a 2X telescope at a distance of two meters to obtain the same retinal magnification.

## STEADY PICTURE

The shorter the distance to the object the steadier the picture will be. Any head movement has a less disturbing effect – yet another good reason why the ML Vidi is so appreciated.

## CORRECTION

The correction of the system is positioned at the back. The new design with its removable ring makes it easier to incorporate and change the correction.



## FRONT LENS FLIP

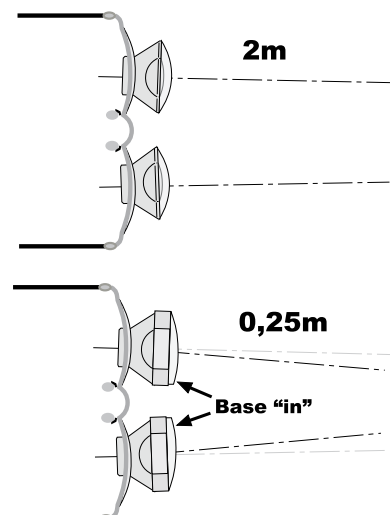
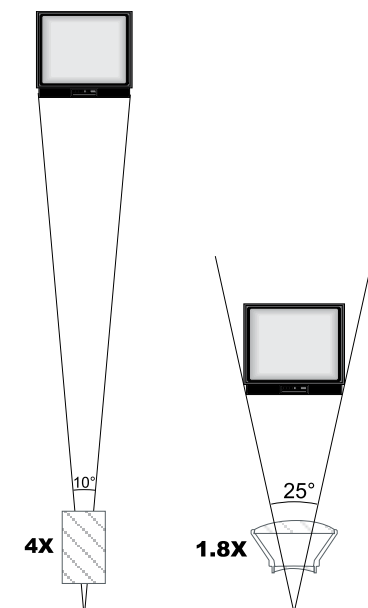
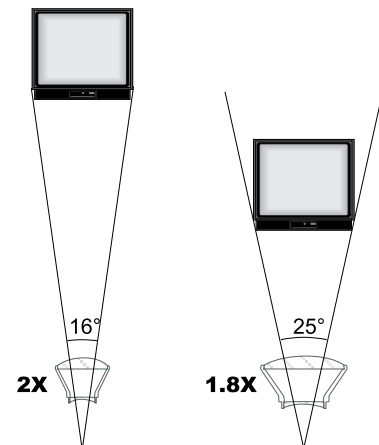
Fits on new and previous versions of the ML Vidi system.

## FRONT LENSES

Thanks to its front lenses for different distances, the ML Vidi can be used for a range of working distances. The basic system should be adjusted to the distance that is used the most. Front lenses then allow the focus distance to be changed simply and quickly. The lenses are available in powers that adjust from far distance down to 10 centimetres.

## BINOCULAR

A prism base in is necessary to obtain a binocular image at distances between 50 and 20 centimetres. Special front lenses with incorporated prisms are available for this purpose. Binocular vision at different distances is therefore possible with the system.



### TEST SET

A test set is available for simple practical testing. It contains two basic systems, front lenses for different working distances and an instruction manual. The rings fit the standard testing frame.



### EASY TO FIT

The ML Vidi is easy to fit. The mounting lens with its special mounting part is as easy to edge as a plano lens. The system presses into the carrier lens with utmost precision. No screws or other tools are needed.

### TOLERANCE

The large diameter of the ocular lens means that the exact position of the system is not as critical as it is for most other telescopic systems.

An elderly person can therefore use it without having to make meticulous adjustments.



### PERIPHERY

The ML Vidi has been designed to enable the wearer to look beside the system and through the carrier lens if desired. It is therefore possible to order the carrier lens with correction. This feature is greatly appreciated by people with myopia.

### MULTICOATING

All lenses are AR-treated to guarantee superb image quality.

### FILTERS

As for all our products, it is possible to insert a filter into the correction lens as well as the front lens.



### ORDERING

A special order form is available for the ML Vidi, which can be ordered with the user's individual choice of correction and specified working distance.

**Magnification:** 1.8X

**Visual field:** 25°

**Weight:** 14 grams

**Correction limit:** ± 20 – 10 dioptres

Multilens is a specialist optical company unique in the global marketplace. Our business concept involves the special grinding of unusual glass. This means that we deliver custom made optical solutions to people with sight issues.

Our core specialities are the eye, vision and visual function. Our attitude is that no problem is too difficult to solve. Our objective is to play a vital role in eye care.

That is why we work with opticians, orthoptists and optometrists, offering the best optical solutions to people with sight problems. We will never stop listening and learning and we are pleased to share our knowledge.