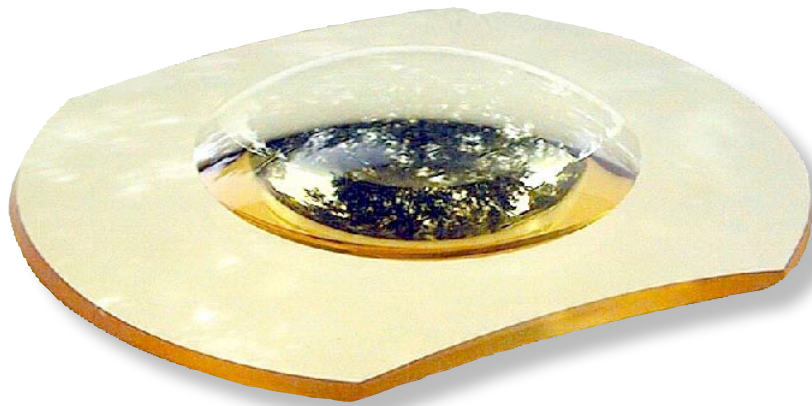




Excellent, high power lens for close reading



SYSTEM POWER:
+12 to +25 (back vertex power)

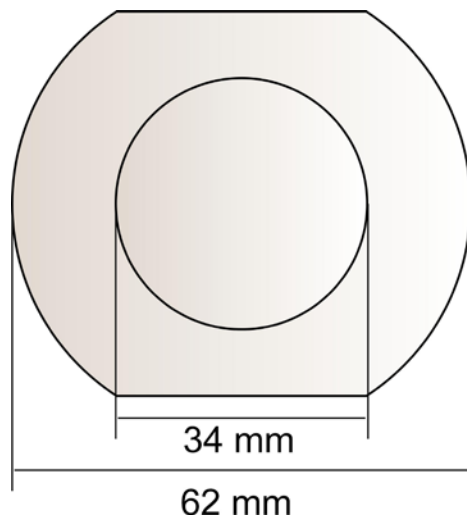
The ML X-Lenti is a high power optical lens for reading at close distances. It is an aid for partially sighted people with relatively mild problems. One advantage of the ML X-Lenti is that it is made of CR39, making it simple for optometrists to edge the lenses to fit into the frames.

› MATERIAL

The ML X-Lenti is made of CR39 – a material that has the advantage of being simple to edge.

› DESIGN

The diameter of the lens is 62 millimetres with a bowl of 34 millimetres.



› TREATMENT

A standard lens is tinted with a 400 filter. It can also be combined with other filter colours, Prima and Dura or is available without colour or any other treatment.

› INDIVIDUAL SOLUTIONS

The ML X-Lenti can be manufactured with an individual correction, sphere and cylinder. The power range is specified with the price information.